

Preliminary

FUJITSU Component Wireless Modules

Bluetooth® Smart Beacon

FWM8BLZ02

Overview

A Bluetooth Smart beacon which can broadcast Beacon data with selectable operating modes by buttons.



RoHS compliant

Features

- **OTA configuration mode**
In *Over-The-Air* (OTA) config mode the beacon unit settings and data can be re-configured by connecting to the central device wirelessly
- **LED status**
The Beacon status can be checked by the LED indicator
- **Long operation life with coin cell battery**
The Beacon is able to operate for more than 2 years with a CR2450 coin cell battery at 1 second advertise interval



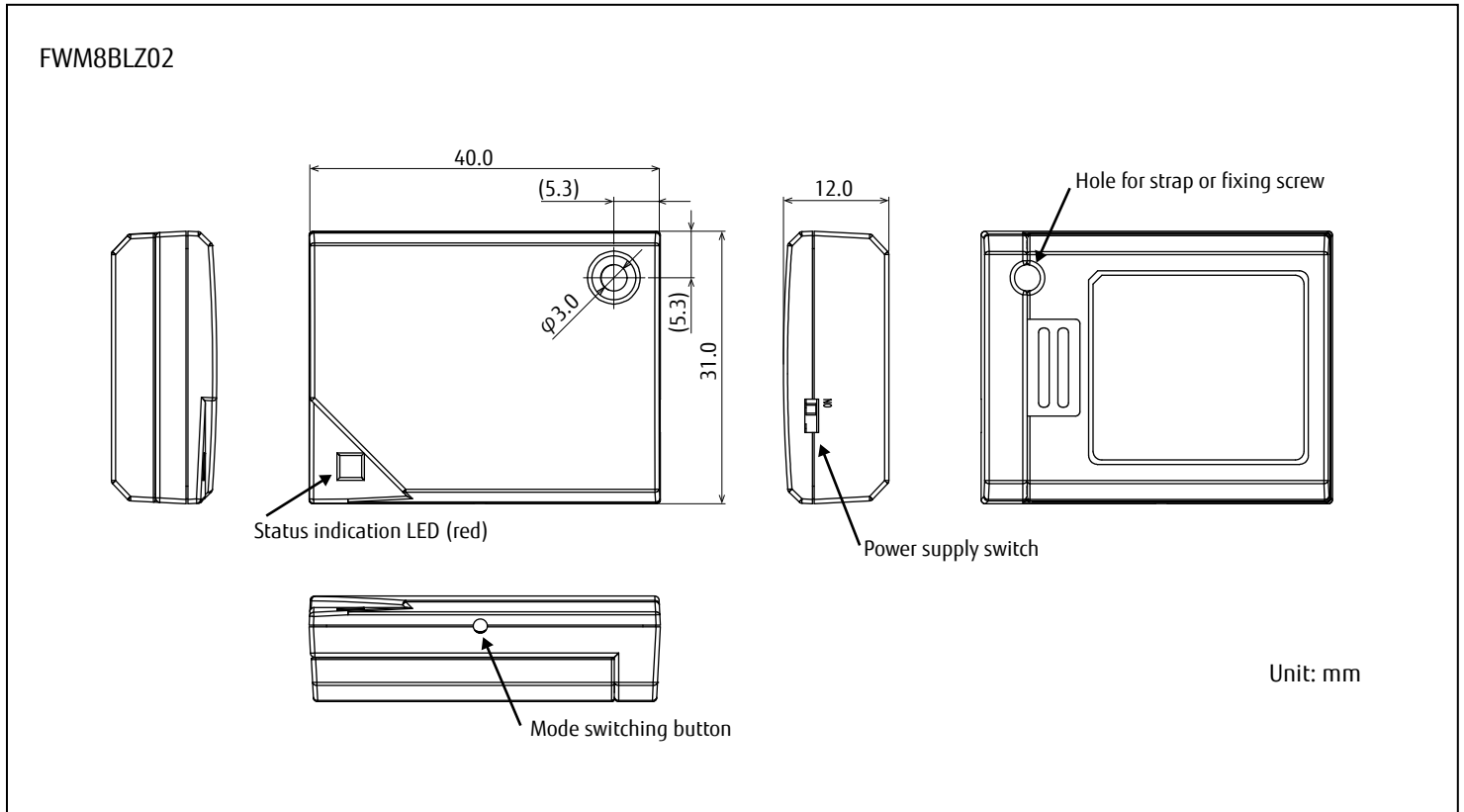
FWM8BLZ02

Applications

- Indoor navigation at stations, airports, exhibition halls
- Retail coupon issuing
- Logistics management
- Health care
- PoP (Point of Presence) for museums, expos, etc.

Item	Specifications
Part number	FWM8BLZ02
Antenna	Pattern antenna
Bluetooth technology	Conforms to Bluetooth Smart technology
Transmit power	-16, -12, -8, -4, 0, +4 dBm
Power supply	CR family coin type lithium battery CR2450 (not include)
Operating temperature	-30°C to +60°C
Operating humidity	+20 to +80% RH
Weight	10g (without battery)
Dimensions	40 x 31 x 12mm
Certifications	Bluetooth qualification (QDID), Radio Act (Japan), FCC, IC, CE

■ Dimensions



Note: The *Bluetooth*® word mark and logos are registered trademarks owned by Bluetooth SIG, Inc. and any use of such marks by Fujitsu Component is under license. Other trademarks and trade names are those of their respective owners.

Contact

Japan
 FUJITSU COMPONENT LIMITED
 Shinagawa Seaside Park Tower
 12-4, Higashi-shinagawa 4-chome,
 Tokyo 140 0002, Japan
 Tel: (81-3) 3450-1682
 Fax: (81-3) 3474-2385
 Email: fcl-contact@cs.jp.fujitsu.com
 Web: www.fujitsu.com/jp/fcl/

Europe
 FUJITSU COMPONENTS EUROPE B.V.
 Diamantlaan 25
 2132 WV Hoofddorp
 Netherlands
 Tel: (31-23) 5560910
 Fax: (31-23) 5560950
 Email: info@fceu.fujitsu.com
 Web: www.fujitsu.com/uk/components/

China
 FUJITSU ELECTRONIC COMPONENTS
 (SHANGHAI) CO., LTD.
 Unit 4306, InterContinental Center
 100 Yu Tong Road, Shanghai 200070, China
 Tel: (86 21) 3253 0998
 Fax: (86 21) 3253 0997
 Email: fcal@sgfujitsu.com
 www.fujitsu.com/sg/products/devices/components/

Copyright

All trademarks or registered trademarks are the property of their respective owners. Fujitsu Components America or its affiliates do not warrant that the content of datasheet is error free. In a continuing effort to improve our products Fujitsu Components America, Inc. or its affiliates reserve the right to change specifications/ datasheets without prior notice. Copyright ©2015 Fujitsu Components America, Inc. All rights reserved. Revised December 11, 2015.

North and South America
 FUJITSU COMPONENTS AMERICA, INC.
 2290 North First Street, Suite 212
 San Jose, CA 95131 U.S.A.
 Tel: (1-408) 745-4900
 Fax: (1-408) 745-4970
 Email: components@us.fujitsu.com
 Web: http://us.fujitsu.com/components/

Asia Pacific
 FUJITSU COMPONENTS ASIA, Ltd.
 102E Pasir Panjang Road
 #01-01 Citilink Warehouse Complex,
 Singapore 118529
 Tel: (65) 6375-8560 / Fax: (65) 6273-3021
 Email: fcal@sg.fujitsu.com
 www.fujitsu.com/sg/products/devices/components/

Hong Kong
 FUJITSU COMPONENTS HONG KONG Co., Ltd.
 Unit 503, Inter-Continental Plaza,
 No.94 Granville Road,
 Tsim Sha Tsui Kowloon, Hong Kong 118529
 Tel: (852) 2881 8495 Fax: (852) 2894 9512
 Email: fcal@sg.fujitsu.com
 www.fujitsu.com/sg/products/devices/components/